

Sani Table Dual



Purification Backing Device Bivalent

Purification backing bivalent device projected to eliminate airborne pathogens in the air in all closed places till 25 m².

The benefit of the air treatment is assured and durable over the time. Simple switch on with central touch button and light setting mode. Very silent, can be stand on in any flat surface and do not require any installation but just the simple energy connection. Very low energy consumption; suggested 24 hours ongoing use for a total purification effect of the room air and the surfaces.



Applications

For all closed places till 25 m²

Features

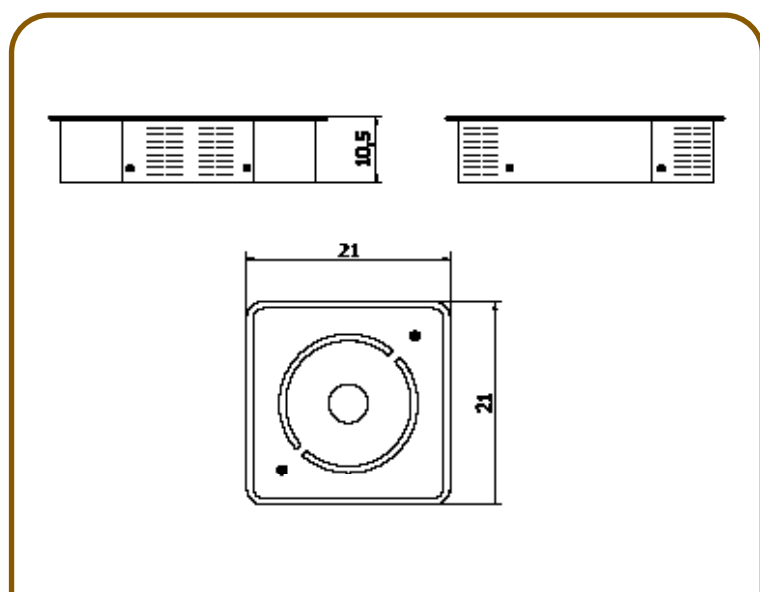
- Touch control
- Dimmable external central light
- Silent
- Low energy consumption
- Free maintenance
- No installation required

Colours available

■ black □ white

GENERAL FEATURES

Category	Air Purifier
Room (cover m ²)	up to 25
Materials	Painted steel structure Cover Plexiglass
Airflow capacity (m ³ /h)	15
Power absorbed (W)	6
Noise (dB)	15,4
Operating temperature (°C)	0 - 50
Voltage (V)	220 - 240 • with adapter external 12 V
Frequency (Hz)	50 - 60
N° NTP (non thermal plasma)	No
Led UVC	Yes
Photocatalyst	Yes
Type of inlet filter Type of outlet filter	Polyester long fiber lasting Polyurethane fiber with activated carbon
Montage	Desk
Control	External control button
Dimension (cm)	21(P) x 21(L) x 10,5(H)
Weight (Kg)	0,8



Sani Table Dual



SPECIFIC FEATURES

VENTILATION CHARACTERISTICS

Capacity (m ³ /h)	15
N° fan	1
Speed (rpm)	3200
Pressure (Pa)	17,5
Outlet air	Grid n° 32 - 18 x 3 mm

CHARACTERISTICS OF THE LIGHTING SYSTEM

N° Led UVC	2
Wavelength (nm)	265 - 275 nm
Irradiation 3 cm (μW/cm ²)	700
Irradiation 10 cm (μW/cm ²)	83

PACKAGING

External measure (cm)	25(P) x 26(L) x 12(H)
Total Weight (Kg)	1,3